



Product Catalogue

The technology
that meet
your needs



NEER[®]
हरियाली की पहचान

OUR BRANDS

NEER[®] | **EAGLE** | **JAGUAR** | **GOLDEN EAGLE** | **AMBU**

ACUTECH MANUFACTURING COMPANY PVT. LTD

Work : 28/11, Gali No. 23, Industrial Area, Libaspur, Delhi-110042

Customer Care No : +91 9354823939

www.acutech.co.in





Introduction

Acutech is a leading manufacturer and provider of irrigation products and services based out of New Delhi, India. The privately held company was founded in 1997. Since the beginning, Acutech has produced and offered the industry's broadest range of irrigation products for farms, golf courses, sports arenas, commercial developments and homes.

Acutech's engineering, marketing, manufacturing, and sales teams have worked together Seamlessly to develop innovative water-conserving products that include irrigation Sprinklers, Rain guns, Venturi Injectors, Land Scape items . As a custom molder, we offer a range of products in industrial, automotive and electrical industries.

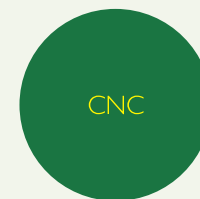
In order to maintain the highest possible standards, all products are certified by the Bureau of Indian standards (BIS).

Mission Statement

- Our Mission is to provide service and products that meet or exceed our customer needs and expectation, in terms of high quality reliability, on time delivery and reasonable price.
- Profitably providing defect-free, high-value products and services that promote the intelligent use of water for worldwide irrigation applications.
- Achieving customer satisfaction by meeting or exceeding expectations.
- Being a responsible employer respected by employees and the community.
- Enabling employees to be the best they can be.

OUR CAPABILITIES:

- Casting**
- Sand Casting, Gravity Casting and Pressure Die Casting has been done by us. (Our capacity is 400 ton/ annum).
 - We can cast from 10 gm up to 10 kg parts very easily.
- Forging**
- We do Hammer & Friction Forging, we can forge around 100 ton per annum (10 gm upto 5 kg).
- Sheet Metals Works**
- We have a Capability of Power press from 5 ton to 100 ton & also have a Hydraulic Machine(Double Action) of 150 ton that can Deep Draw up to 5 mm.
 - Shearing Machine cutting capacity is 6 mm in thickness and 2500 mm in length.
- Injection Molding**
- Injection molding machines are also available up to 120 ton.
 - Maximum part molding capacity is of 200 gm.
 - The gripping capacity of the machine for the Die tool is 200 kg.
- SPM**
- We have variety of SPM Machines with high productivity for different types of operation such as Drilling, Tapping, Boring, Coining, Stamping, etc.
- Tool Room**
- We have in house capability of making Sand casting patterns, GDC & PDC Dies, Injection molding dies as well as sheet metal dies.
- CNC Work**
- We have CNC turning lathe that measures as 14" Dia. X 20" Length.



हरियाली की पहचान

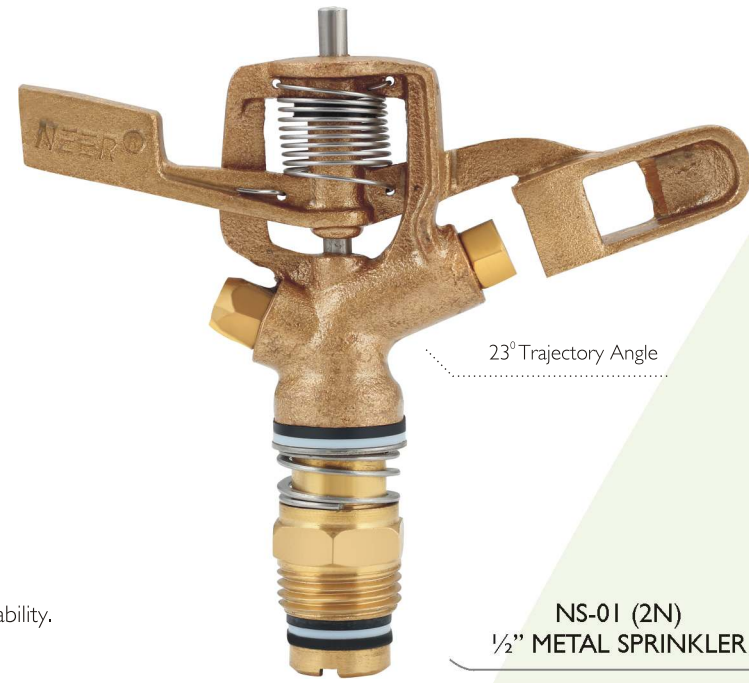
PERFORMANCE CHART

Nozzle Size (mm)	3.5 x 2.6		
Pressure in (Kg/Cm ²)	1.0	2.0	3.0
Diameter (Meter)	20.0	22.0	23.0
Discharge (LPM)	14.0	17.0	20.0

*Performance is based on ideal conditions of temperature, wind velocity and humidity

FEATURES

- ▶ 1/2" Full Circle Metal Sprinkler.
- ▶ Brass Bearing Assembly.
- ▶ 1/2" Male BSP/NPT Connection.
- ▶ Stainless Steel Fulcrum pin, Arm & bearing spring for long wearing reliability.
- ▶ BIS Approved - ISI marked.
- ▶ Copper base Alloy Body & Arm for extra Strength.



1/2" METAL SPRINKLER STAND SET

ACCESSORIES

- ▶ Aluminum Pipe 1/2"
- ▶ Aluminum Base
- ▶ Brass Elbow 1/2"

Aluminum Base

Sprinkler



COMPLETE SET



PERFORMANCE CHART

Nozzle Size (mm)	2.4x1.8			2.5x1.8		
Pressure in (Kg/Cm ²)	1.0	2.0	3.0	1.0	2.0	3.0
Diameter (Meter)	17.0	18.5	20.0	19.0	20.0	21.0
Discharge (LPM)	7.5	8.0	9.5	8.0	8.5	10.5

*Performance is based on ideal conditions of temperature, wind velocity and humidity

FEATURES

- ▶ 1/2" Full Circle Plastic Sprinkler.
- ▶ Plastic Bearing Assembly.
- ▶ 1/2" Male BSP/NPT Connection.
- ▶ Stainless Steel Fulcrum pin, Arm & bearing spring for long wearing reliability.
- ▶ BIS Approved - ISI marked.
- ▶ Low operating pressure thus energy saving.
- ▶ Easy to install & dismantle.

APPLICATION

- ▶ Design for micro irrigation use in Potato, Onion, Garlic, Ginger, Pulses, Tea & Nursery



FEATURE

- ▶ Self tapping connection.
- ▶ Excellent distribution uniformity.
- ▶ Range of operating pressure: 0.5 kg/cm² to 2 kg/cm²
- ▶ Flow Rate Range: 35 - 150 LPH.
- ▶ Easily install in the ground on stake or can be hanged by wire

APPLICATION

- ▶ Designed for Micro Irrigation use in fruit trees orchards, crop cooling, & Nursery.



COMPLETE SET



ACCESSORIES

- ▶ Adopter
- ▶ Tube 12mm
- ▶ Connector Male & Female
- ▶ Plastic Bush
- ▶ M.S Stand

हरियाली की पहचान

PERFORMANCE CHART

Nozzle Size (mm)	4.1x3.1				4.5x3.1				5.1x3.1			
	1.0	2.0	3.0	3.5	1.0	2.0	3.0	3.5	1.0	2.0	3.0	3.5
Pressure in (Kg/Cm ²)	18.0	20.0	22.0	23.0	19.0	21.0	23.0	24.0	21.0	22.5	24.5	26.0
Diameter (Meter)	22.0	25.0	31.0	35.0	25.0	28.0	32.0	37.0	26.0	34.0	37.0	40.0

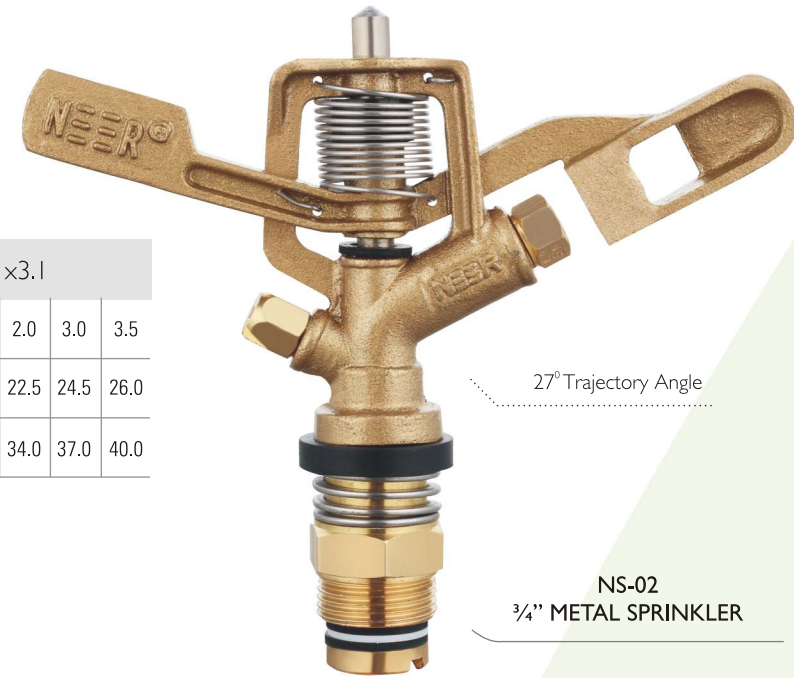
*Performance is based on ideal conditions of temperature, wind velocity and humidity

FEATURES

- ▶ 3/4" Full Circle Metal Sprinkler.
- ▶ Brass/SS Bearing Assembly.
- ▶ 3/4" Male BSP/NPT Connection.
- ▶ Stainless Steel Fulcrum pin, Arm & bearing spring for long wearing reliability.
- ▶ BIS Approved - ISI marked.
- ▶ Chemical resistant bearing seal.
- ▶ Copper base Alloy Body & Arm for extra Strength.

APPLICATION

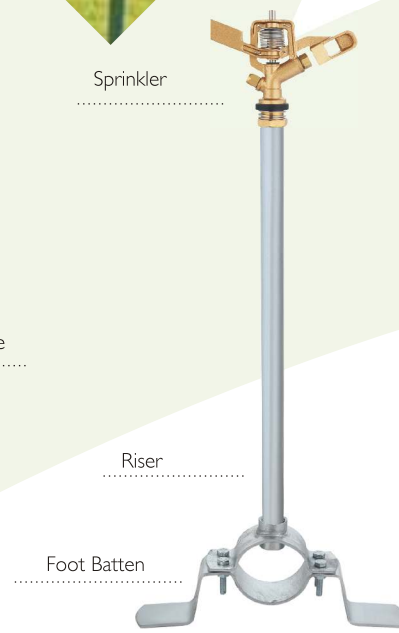
- ▶ Agriculture, Horticulture, Golf Course, Wheat & Vegetables, Etc.
- ▶ Ideal For most Solid Set & Portable application.



NS-02 AMBU (ALUMINUM)
3/4" PDC ALUMINUM SPRINKLER



NS-02 (ZINC)
3/4" PDC ZINC SPRINKLER



PERFORMANCE CHART

Nozzle Size (mm)	4.1x3.1				4.5x3.1				5.1x3.1			
	1.0	2.0	3.0	3.5	1.0	2.0	3.0	3.5	1.0	2.0	3.0	3.5
Pressure in (Kg/Cm ²)	18.0	20.0	22.0	23.0	19.0	22.0	25.0	27.0	21.0	24.0	28.0	30.0
Diameter (Meter)	22.0	25.0	31.0	35.0	21.0	24.0	28.0	30.0	28.0	32.0	38.0	40.0

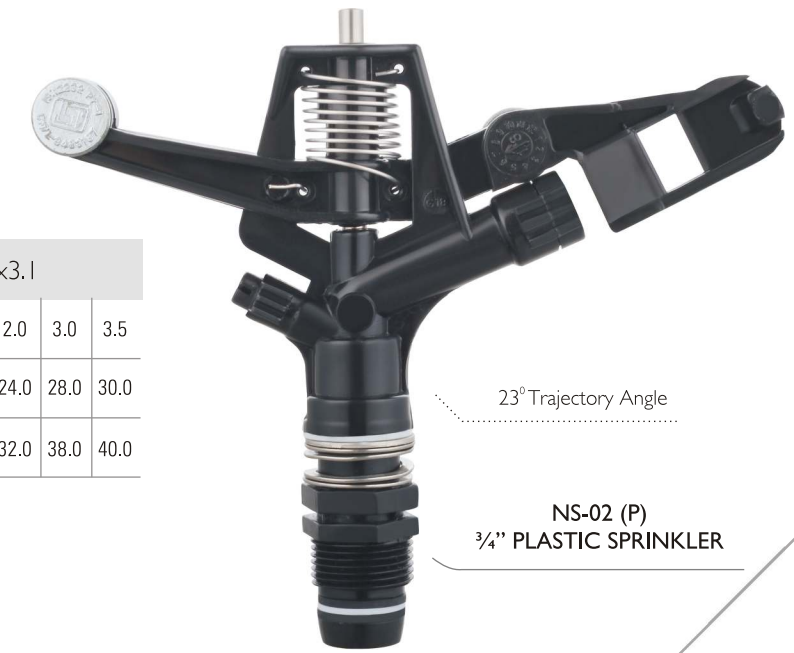
*Performance is based on ideal conditions of temperature, wind velocity and humidity

FEATURES

- ▶ 3/4" Full Circle Plastic Sprinkler.
- ▶ Plastic Bearing Assembly with SS washer.
- ▶ 3/4" Male BSP/NPT Connection.
- ▶ Stainless Steel Fulcrum pin, Arm & bearing spring for long wearing reliability.
- ▶ BIS Approved - ISI marked.
- ▶ Lockable design of nozzle for cleaning sprinkler.

APPLICATION

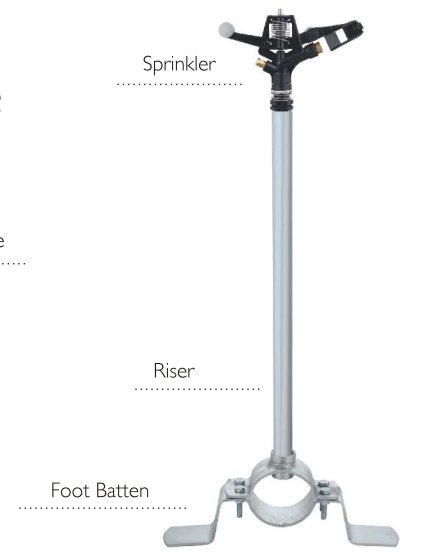
- ▶ Agriculture, Horticulture, Golf Course, Wheat & Vegetables, Etc.
- ▶ Ideal For most Solid Set & Portable application.



NS-02 (P)
WHITE WITH BRASS NOZZLE



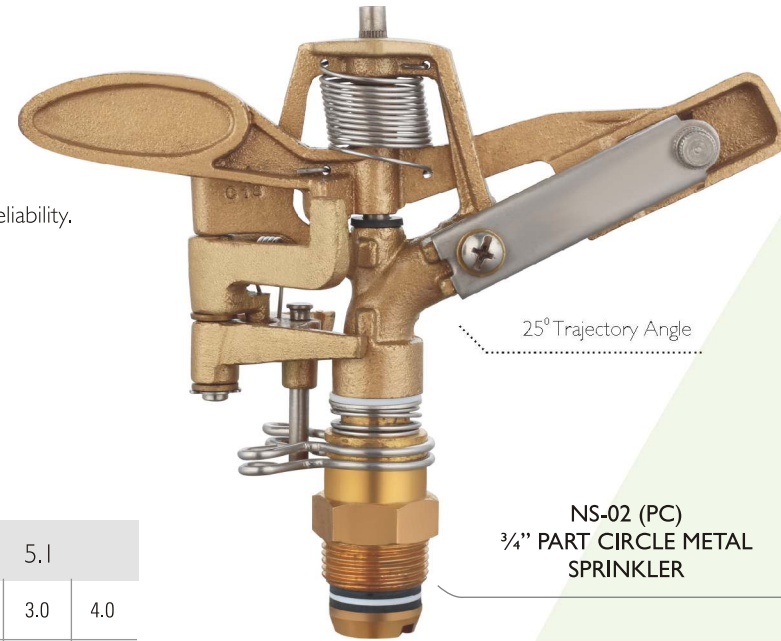
NS-02 (P)
BRASS NOZZLE



हरियाली की पहचान

FEATURES

- ▶ 3/4" Part Circle Metal Sprinkler.
- ▶ Brass Bearing Assembly.
- ▶ 3/4" Male BSP/NPT Connection.
- ▶ Stainless Steel Fulcrum pin, Arm & bearing spring for long wearing reliability.
- ▶ Chemical resistant bearing seal.
- ▶ Copper base Alloy Body & Arm for extra Strength.
- ▶ Adjustable Diffuser pin.
- ▶ Single Nozzle.



PERFORMANCE CHART

Nozzle Size (mm)	4.1			4.5			5.1		
Pressure in (Kg/Cm ²)	2.0	3.0	4.0	2.0	3.0	4.0	2.0	3.0	4.0
Diameter (Meter)	25.3	26.3	28.1	25.8	26.9	28.8	26.5	27.5	29.5
Discharge (LPM)	17.0	20.7	24.2	19.9	25.0	29.0	24.5	30.0	35.4

*Performance is based on ideal conditions of temperature, wind velocity and humidity



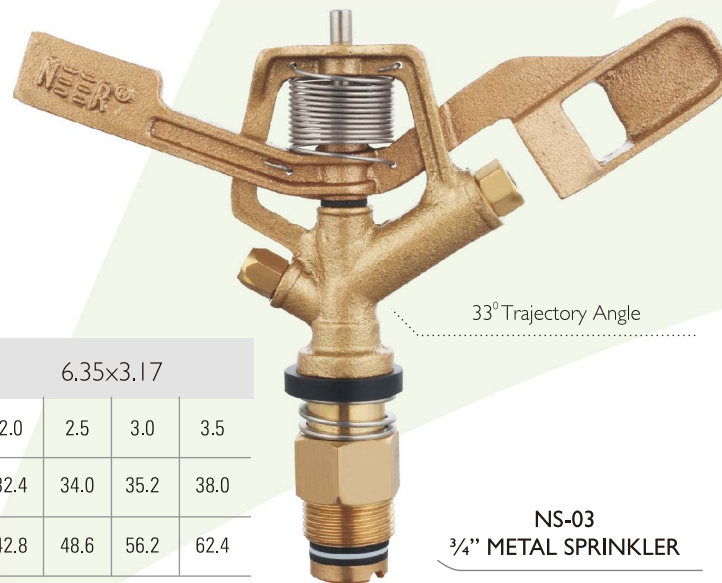
FEATURES

- ▶ 3/4" Full Circle Metal Sprinkler.
- ▶ Brass Bearing Assembly.
- ▶ 3/4" Male BSP/NPT Connection.
- ▶ Stainless Steel Fulcrum pin, Arm & bearing spring for long wearing reliability.
- ▶ BIS Approved - ISI marked.
- ▶ Chemical resistant bearing seal.
- ▶ Copper base Alloy Body & Arm for extra Strength.

PERFORMANCE CHART

Nozzle Size (mm)	5.55x3.17				5.95x3.17				6.35x3.17			
Pressure in (Kg/Cm ²)	2.0	2.5	3.0	3.5	2.0	2.5	3.0	3.5	2.0	2.5	3.0	3.5
Diameter (Meter)	28.2	32.4	34.5	35.2	31.8	33.0	34.8	35.8	32.4	34.0	35.2	38.0
Discharge (LPM)	37.0	40.8	46.2	50.1	39.0	43.8	51.2	54.3	42.8	48.6	56.2	62.4

*Performance is based on ideal conditions of temperature, wind velocity and humidity



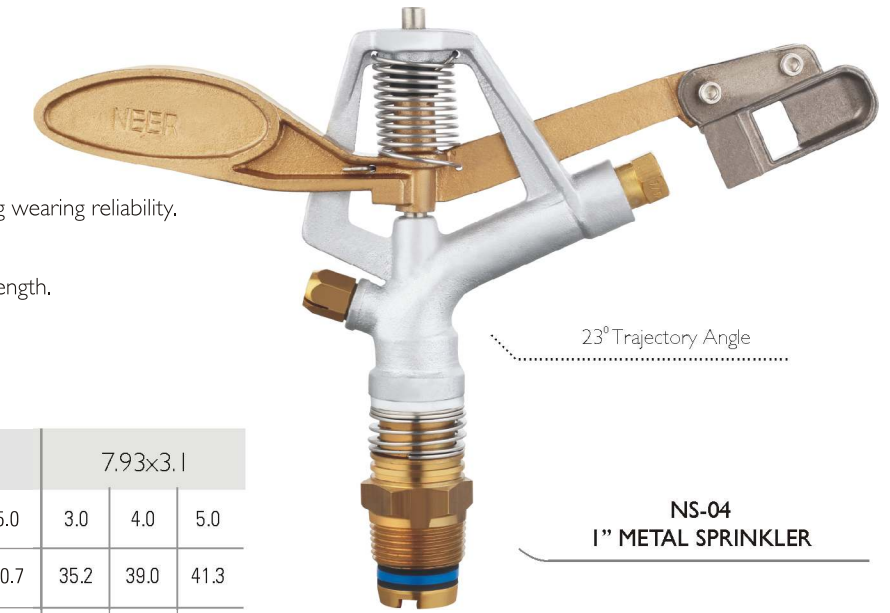
FEATURES

- ▶ 1" Full Circle Metal Sprinkler.
- ▶ Brass Bearing Assembly.
- ▶ 1" Male BSP/NPT Connection.
- ▶ Stainless Steel Fulcrum pin, Arm & bearing spring for long wearing reliability.
- ▶ Chemical resistant bearing seal.
- ▶ Aluminum Body & Copper Base Alloy Arm for extra Strength.

PERFORMANCE CHART

Nozzle Size (mm)	6.35x3.1			7.14x3.1			7.93x3.1		
Pressure in (Kg/Cm ²)	3.0	4.0	5.0	3.0	4.0	5.0	3.0	4.0	5.0
Diameter (Meter)	32.3	34.9	37.1	33.7	37.1	40.7	35.2	39.0	41.3
Discharge (LPM)	57.7	63.5	71.0	66.0	75.7	83.6	76.9	88.0	97.2

*Performance is based on ideal conditions of temperature, wind velocity and humidity



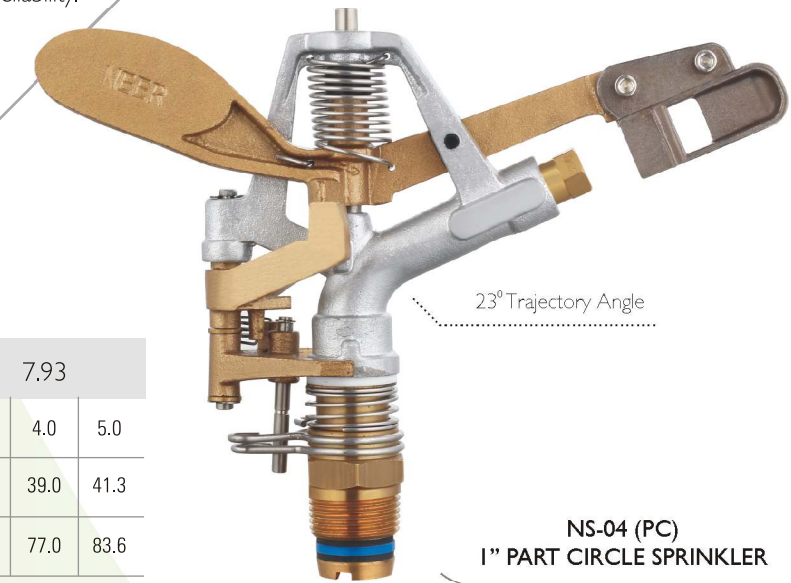
FEATURES

- ▶ 1" Part Circle Metal Sprinkler.
- ▶ Brass Bearing Assembly.
- ▶ 1" Male BSP/NPT Connection.
- ▶ Stainless Steel Fulcrum pin, Arm & bearing spring for long wearing reliability.
- ▶ Chemical resistant bearing seal.
- ▶ Aluminum Body & Copper Base Alloy Arm for extra Strength.
- ▶ Adjustable Diffuser pin.
- ▶ Single Nozzle.

PERFORMANCE CHART

Nozzle Size (mm)	6.35			7.14			7.93		
Pressure in (Kg/Cm ²)	3.0	4.0	5.0	3.0	4.0	5.0	3.0	4.0	5.0
Diameter (Meter)	32.3	34.9	37.1	33.7	37.1	40.7	35.2	39.0	41.3
Discharge (LPM)	45.0	53.0	55.0	54.0	64.5	70.0	65.0	77.0	83.6

*Performance is based on ideal conditions of temperature, wind velocity and humidity



हरियाली की पहचान

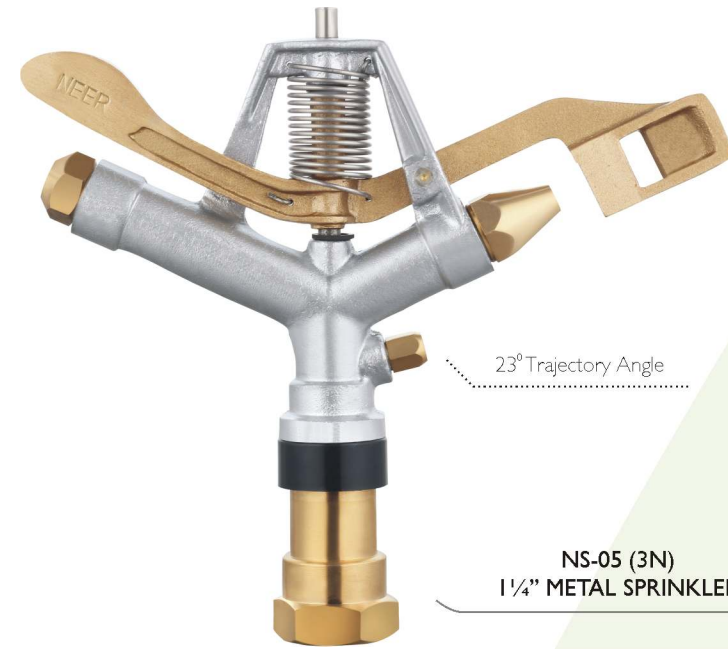
FEATURES

- ▶ 1-1/4" Full Circle Metal Sprinkler.
- ▶ Brass Bearing Assembly.
- ▶ 1-1/4" Male or Female BSP/NPT Connection.
- ▶ Stainless Steel Fulcrum pin, Arm & bearing spring for long wearing reliability.
- ▶ Chemical resistant bearing seal.
- ▶ Aluminum Body & Copper Base Alloy Arm for extra Strength.

PERFORMANCE CHART

Nozzle Size (mm)	10.3x9.5x5.5			
Pressure in (Kg/Cm ²)	3.0	4.0	5.0	6.0
Diameter (Meter)	53.0	55.0	58.0	60.0
Discharge (LPM)	275.0	295.0	315.0	338.0

*Performance is based on ideal conditions of temperature, wind velocity and humidity



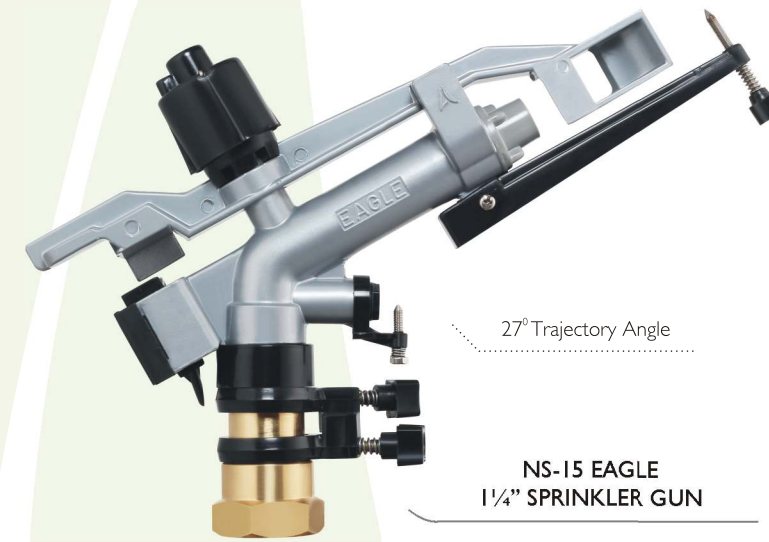
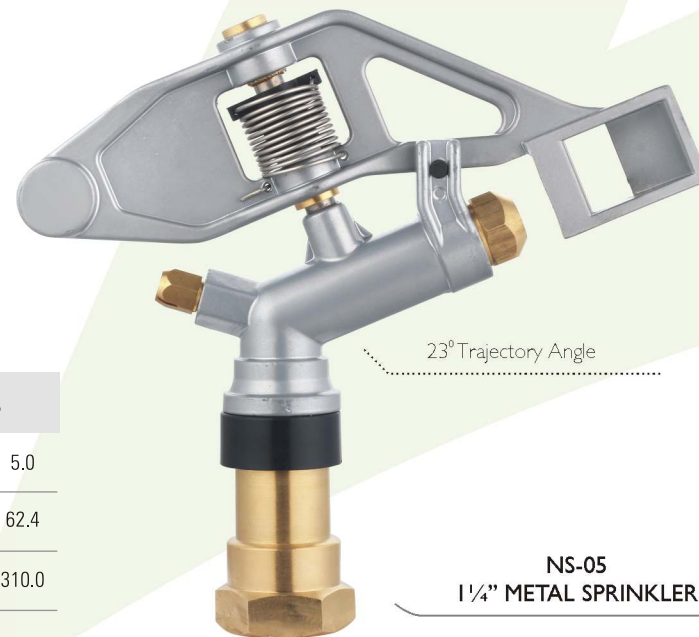
FEATURES

- ▶ 1-1/4" Full Circle Metal Sprinkler.
- ▶ Brass/SS Bearing Assembly.
- ▶ 1-1/4" Male or Female BSP/NPT Connection.
- ▶ Stainless Steel Fulcrum pin, Arm & bearing spring for long wearing reliability.
- ▶ Chemical resistant bearing seal.
- ▶ Pressure Die Casting Aluminum Body & Arm for extra Strength.

PERFORMANCE CHART

Nozzle Size (mm)	9.5x5.5			10.3x5.5			12.7x5.5		
Pressure in (Kg/Cm ²)	3.0	4.0	5.0	3.0	4.0	5.0	3.0	4.0	5.0
Diameter (Meter)	48.2	51.6	53.4	50.8	53.6	55.0	55.8	60.0	62.4
Discharge (LPM)	152.0	169.2	184.2	175.0	192.2	215.0	250.0	272.8	310.0

*Performance is based on ideal conditions of temperature, wind velocity and humidity



FEATURES

- ▶ 1-1/4" Part Circle & Full Circle Sprinkler gun.
- ▶ Brass Bearing Assembly.
- ▶ 1-1/4" Female BSP/NPT Connection.
- ▶ Stainless Steel Fulcrum pin, Arm & bearing spring for long wearing reliability.
- ▶ Chemical resistant bearing seal.
- ▶ Pressure Die Casting Aluminum Body & Arm for extra Strength.
- ▶ Equipped with interchangeable nozzles of different sizes for various application.

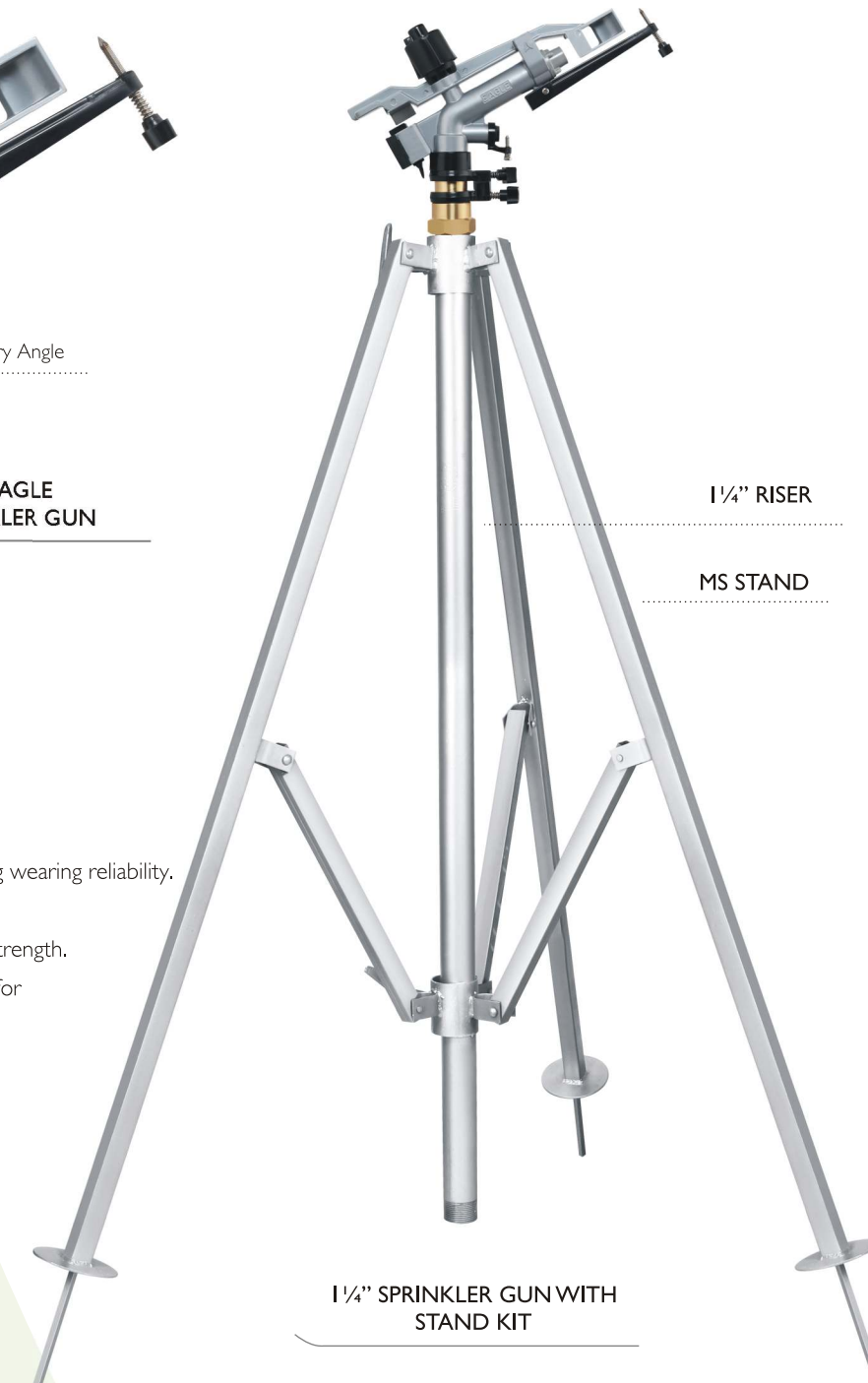
APPLICATION

- ▶ Field Crop-Sugar Cane, Ground Nut, Maize Wheat Grams Pulses, Tea Estates, Coffee Plantation.
- ▶ Dust Suppression, Green Pastures, Sports Field & Golf Courses.

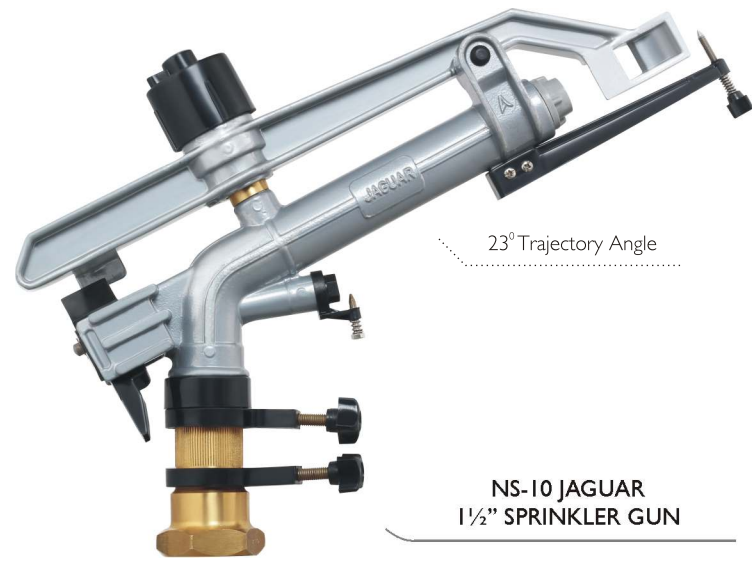
PERFORMANCE CHART

Nozzle Size (mm)	10x4				12x4				14x4			
Pressure in (Kg/Cm ²)	2.0	3.0	4.0	5.00	2.00	3.00	4.00	5.00	2.00	3.00	4.00	5.00
Diameter (Meter)	37.5	43.0	45.5	48.00	41.00	47.50	51.50	55.0	45.50	48.50	54.0	58.0
Discharge (LPM)	100.0	137.0	155.0	174.0	147.0	183.0	209.0	231.0	203.0	243.0	278.0	313.0

*Performance is based on ideal conditions of temperature, wind velocity and humidity



हरियाली की पहचान



FEATURES

- ▶ 1-1/2" Part Circle & Full Circle Sprinkler gun.
- ▶ Brass Bearing Assembly.
- ▶ 1-1/2" Female BSP/NPT Connection.
- ▶ Stainless Steel Fulcrum pin, Arm & bearing spring for long wearing reliability.
- ▶ Chemical resistant bearing seal.
- ▶ Gravity Die Casting Aluminum Body & Arm for extra strength.
- ▶ Equipped with interchangeable nozzles of different sizes for various application.

APPLICATION

- ▶ Field Crop-Sugar Cane, Ground Nut, Maize Wheat Grams Pulses, Tea Estates, Coffee Plantation.
- ▶ Dust Suppression, Green Pastures, Sports Field & Golf Courses.

PERFORMANCE CHART

Nozzle Size (mm)	12x5.1				14x5.1				16x5.1				18x5.1			
	2.0	3.0	4.0	5.0	2.0	3.0	4.0	5.0	2.0	3.0	4.0	5.0	2.0	3.0	4.0	5.0
Pressure in (Kg/Cm ²)	2.0	3.0	4.0	5.0	2.0	3.0	4.0	5.0	2.0	3.0	4.0	5.0	2.0	3.0	4.0	5.0
Diameter (Meter)	40.0	48.0	55.0	60.0	42.0	50.0	57.0	62.0	44.0	52.0	58.0	65.0	46.0	54.0	60.0	68.0
Discharge (LPM)	150.0	180.0	210.0	230.0	192.0	235.0	275.0	305.0	245.0	300.0	350.0	388.0	300.0	375.0	432.0	485.0

*Performance is based on ideal conditions of temperature, wind velocity and humidity



FEATURES

- ▶ 2" Part Circle & Full Circle Sprinkler gun.
- ▶ Brass/SS Bearing Assembly.
- ▶ 2" Female BSP/NPT Connection.
- ▶ Stainless Steel Fulcrum pin, Arm & bearing spring for long wearing reliability.
- ▶ Chemical resistant bearing seal.
- ▶ Gravity Die Casting Aluminum Body & Arm for extra Strength.
- ▶ Equipped with interchangeable nozzles of different sizes for various application.

APPLICATION

- ▶ Field Crop-Sugar Cane, Ground Nut, Maize Wheat Grams Pulses, Tea Estates, Coffee Plantation.
- ▶ Dust Suppression, Green Pastures, Sports Field & Golf Courses.

PERFORMANCE CHART

Nozzle Size (mm)	14x8				16x8				18x8				20x8			
	2.0	3.0	4.0	5.0	2.0	3.0	4.0	5.0	2.0	3.0	4.0	5.0	2.0	3.0	4.0	5.0
Pressure in (Kg/Cm ²)	2.0	3.0	4.0	5.0	2.0	3.0	4.0	5.0	2.0	3.0	4.0	5.0	2.0	3.0	4.0	5.0
Diameter (Meter)	48.0	58.0	62.0	68.0	56.0	64.0	70.0	74.0	60.0	68.0	76.0	80.0	62.0	70.0	79.0	84.0
Discharge (LPM)	220.0	270.0	320.0	360.0	280.0	340.0	390.0	430.0	330.0	423.0	490.0	550.0	340.0	435.0	520.0	570.0

*Performance is based on ideal conditions of temperature, wind velocity and humidity



NEER®

हरियाली की पहचान

Valve

QUICK COUPLING



NS-12 QUICK COUPLING VALVE (BRASS)

FEATURES

- ▶ Available in 3/4" & 1" Female BSP/NPT Connections
- ▶ Solid brass construction for durability economy & recyclability.
- ▶ Specially designed grommet for good working
- ▶ Brass plunger & stainless steel spring to eliminate corrosion.
- ▶ Also available in plastic



NS-12 QUICK COUPLING VALVE (ALUMINUM)

FEATURES

- ▶ Available in 1/4" & 1/2" Female BSP/NPT Connections
- ▶ ALUMINUM construction for durability economy & recyclability.
- ▶ Specially designed grommet for good working
- ▶ Brass plunger & stainless steel spring to eliminate corrosion.



NS-13 AIR VENTS AIR CUM VACUUM RELEASE VALVE

FEATURES

- ▶ Available in Plastic & Aluminum
- ▶ 3/4", 1", 1 1/2", 2" & 3" Male & Female BSP/NPT Connections
- ▶ Specially designed inner solid plastic float ball for good working
- ▶ They have excellent seating characteristics & operate trouble-free at pressure up to 10kg/cm²



Accessories

NEER®

PRV & VENTURI

NS-14 PRESSURE RELEASE VALVE

Available in 2" Female BSP/NPT Connections

FEATURES

- ▶ Available in 2" BSP /NPT Connection
- ▶ Provides pressure surge protection for irrigation system
- ▶ Adjustable pressure setting maximizes performance for individual application
- ▶ High Strength cast aluminium body, stainless steel shaft offer strength & corrosion resistance.
- ▶ Normal Pressure : 80 PSI
- ▶ Pressure Relief Setting : 1.5 Kg/Cm² to 5.5 Kg/Cm² (20PSI to 80 PSI)

APPLICATION

- ▶ Pressure Relief Valve are designed to provide maximum pressure surge protection for irrigation systems.



NS-16 VENTURI INJECTOR

FEATURES

- ▶ Made of engineering plastic
- ▶ Can be used with a large variety of chemicals
- ▶ Highly efficient and compact differential pressure injection device
- ▶ Economical and low cost option
- ▶ Available in 3/4" and 2" BSP Male thread connection
- ▶ BIS Approved -ISI Marked

PERFORMANCE CHART

Pressure Kg/cm ²		3/4" Venturi Injector	
Inlet Pressure	outlet Pressure	Water suction (LPH)	Motive Flow (LPM)
0.5	0.0	141.0	17.0
1.0	0.25	152.0	22.0
1.5	0.5	150.0	24.0
2.0	0.5	148.0	26.0
3.0	1.0	138.0	30.0
4.0	1.0	131.0	33.0

Pressure Kg/cm ²		2" Venturi Injector	
Inlet Pressure	outlet Pressure	Water suction (LPH)	Motive Flow (LPM)
1.00	0.25	1800	240
2.00	0.50	2040	300
3.00	0.75	2040	360
4.00	1.00	2040	432
5.00	2.00	1920	470



NEER®

Accessories

HYDRO CYCLONE & FILTER

हरियाली की पहचान

FEATURES

- ▶ Available Size : 2", 2-1/2" & 3" BSP /NPT Connection
- ▶ Maximum Operating Pressure : 6 Kg/Cm²
- ▶ Collector tank available in 6 liters.
- ▶ Material of Construction : M.S
- ▶ Dirt can be easily flushed out through drain port.
- ▶ Rubber Gaskets are made by high grade of rubber.

PERFORMANCE CHART

Inlet / Outlet (inch)	Max. Operating System, Kg/cm ²	Flow Rate m ³ /h
2"	6	24
2½"	6	28
3"	6	46



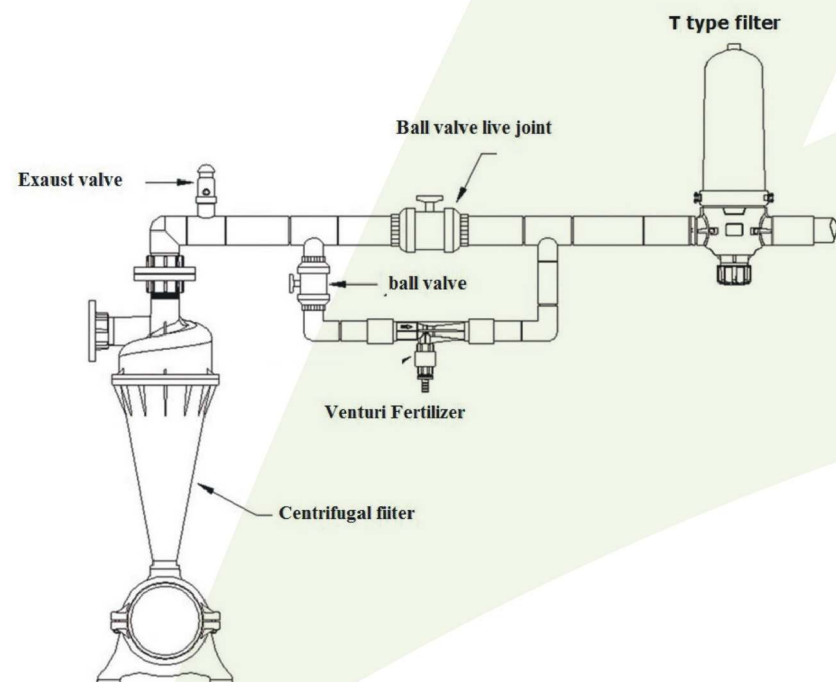
HYDRO CYCLONE FILTER

WORKING PRINCIPLE

Centrifugal filter based on the principle of gravity and centrifugal force, the removal of solid particles from water, water from the tangent into the centrifugal filter into the body rotating centrifugal force to promote the high density of solid particles and sediment along the wall flow, The formation of swirling flow, so that sand and stones into the sand collection tank water is downstream, along the outlet out of both the completion of water and sediment separation.



DISC & SCREEN FILTER



NEER®

Accessories

PVC PIPE FITTING



PVC VALVE

FEATURES

- ▶ Ball, check, butterfly, gate valves & more !.
- ▶ Corrosion and chemical resistant.
- ▶ 50°C operating.
- ▶ Lightweight and easy to install.



SWING JOINTS

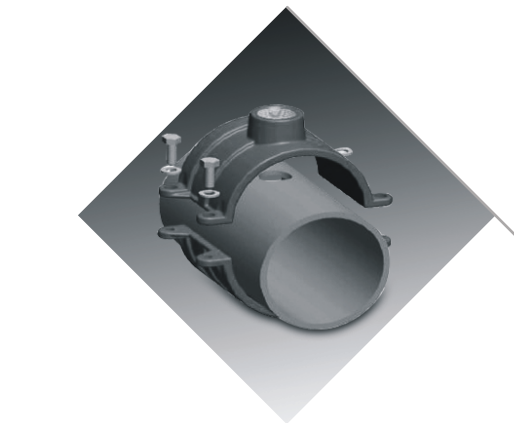
FEATURES

- ▶ Full 3 way adjustability including height.
- ▶ Durable Polyethylene construction for ½" & ¾"
- ▶ Full 360 adjustment.
- ▶ 50°C operating.



COMPRESSION FITTINGS (PUSH FIT)

Available in 25mm & 32mm



SERVICE SADDLE

Available in 40mm, 50mm, 63mm, 75mm, 90mm, 110mm, 140mm & 160mm



NEER®

Accessories

METAL PIPE FITTING

हरियाली की पहचान



C-CLAMP WITH RIVIT

Available in 50mm, 63mm, 75mm & 90mm
(Zinc Plating, Powder Coated & Hot Dip Galvanized.)
also available in Stainless Steel



PIPE FLANGES

Available in 40mm, 50mm, 63mm & 75mm
(Zinc Plating & Hot Dip Galvanized.)



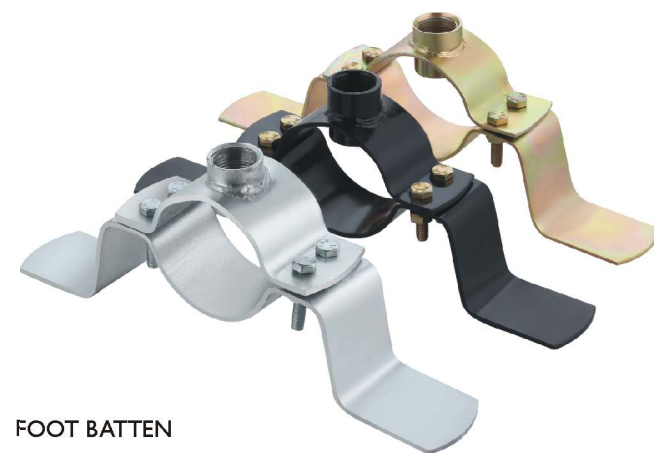
GI Riser Pipe

Available in 30"x3/4" & 38"x3/4"



MS Stand

Available in 1.2 mtr & 1.5 mtr



FOOT BATTEN

Available in 50mm, 63mm, 75mm & 90mm
(Zinc Plating, Powder Coated & Hot Dip Galvanized.)



LATCH CLAMP

Available in 50mm, 63mm, 75mm, 90mm & 110mm
(Zinc Plating & Hot Dip Galvanized.)

NEER®

SOME OF OUR MORE NOTABLE CLIENTS



THE ADVANTAGES OF SPRINKLER IRRIGATION

One of the main advantages of the sprinkler irrigation technology is more efficient use of water for irrigation in agriculture. Sprinkler systems eliminate water conveyance channels, thereby reducing water loss. Water is also distributed more evenly across crops helping to avoid wastage.

THE BENEFITS OF IRRIGATION

Irrigation helps to cultivate superior crops with the water supply as per the need of the crops. Ultimately it helps in economic development. Irrigation water improves water conditions in the soil, increases the water content of plant fibers, dissolves nutrients & makes them available to plants.

